

## GHDS-20 Heavy Duty Soft-Down Stay

Top opening · Heavy duty

Opening Direction	Description	Non-handed	Model	Maximum door moment
 Top-opening	With Catch	-	K	13.7~19.5 N·m/2 pcs (140~199 kgf·cm/2 pcs)
	For Use in Pairs		M	19.6~24.4 N·m/2 pcs (200~249 kgf·cm/2 pcs)
			H	24.5~29.4 N·m/2 pcs (250~300 kgf·cm/2 pcs)

### Features

- Soft-closing for top-opening doors
- Designed to hold the door in fully opened position
- Can be used with piano, butt or concealed hinges
- Passed 30,000 life cycle test
- GAS** accessories for aluminium frame installation available, contact Gripwell for assistance

### Notes

- Operating temperature: 0°C - 40°C
- Used in pairs
- Do not push the door up more than opening angle 70°.
- Do not open and close the door roughly

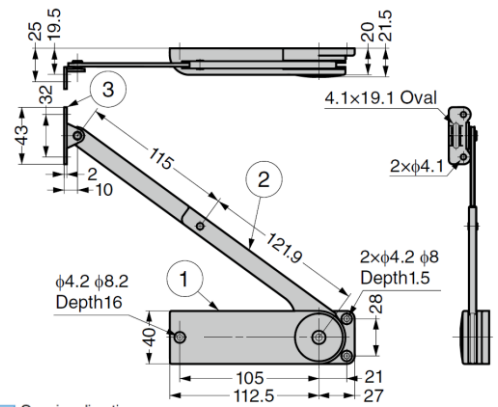
### Parts Included

- Mounting plate
- Binding head tapping screw 3.5×15

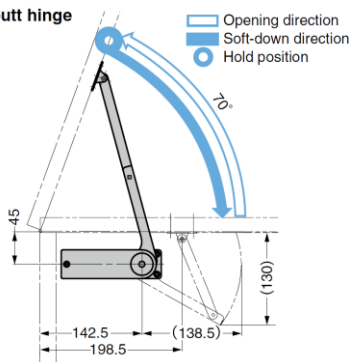
**Installation Illustration:** Top-opening 75° and right side installation.  
Left-side installation is symmetrical



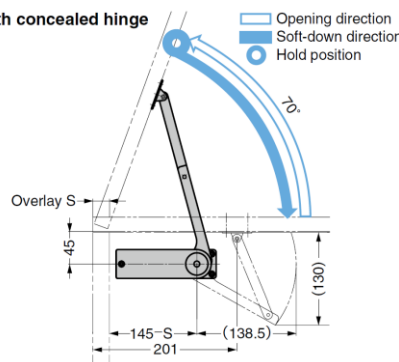
No.	Part Name	Material	Finish/Colour
①	Body	ABS	Black, White
②	Arm	Steel (SPCC)	Nickel
③	Mounting Plate		



With piano/butt hinge



With concealed hinge



Part No.	Type	Material	Finish	Model	Maximum Door Moment (per pair)	
GHDS-20KL-BL	Left-handed	Steel/ ABS	Nickel / Black	K	13.7 ~ 19.5 N.m	140 ~ 199 kgf.cm
GHDS-20KR-BL	Right-handed		Nickel / White			
GHDS-20KL-WT	Left-handed		Nickel / Black	M		
GHDS-20KR-WT	Right-handed		Nickel / White			
GHDS-20ML-BL	Left-handed	Steel/ ABS	Nickel / Black	M	19.6 ~ 24.4 N.m	200 ~ 249 kgf.cm
GHDS-20MR-BL	Right-handed		Nickel / White			
GHDS-20ML-WT	Left-handed		Nickel / Black	H		
GHDS-20MR-WT	Right-handed		Nickel / White			
GHDS-20HL-BL	Left-handed	Steel/ ABS	Nickel / Black	H	24.5 ~ 29.4 N.m	250 ~ 300 kgf.cm
GHDS-20HR-BL	Right-handed		Nickel / White			
GHDS-20HL-WT	Left-handed					
GHDS-20HR-WT	Right-handed					